

Microcentrifuge Tubes

I. APPLICATIONS

1. Cell centrifugation
2. Molecular biology
3. Sample storage
4. Centrifugation of precipitates

II. FEATURES

1. Materials: Strong, medical-grade polypropylene, autoclavable
2. Chemically resistant to alcohols and mild organic solvents
3. Transparent wall permits easy viewing of tube contents
4. Working temperature: stable from -20°C to 121°C (Autoclavable)
5. Tested to withstand centrifugation of 20,000 RCF in a fully supported rotor
6. Certified RNase & DNase Free

III. TUBE DESIGN

1. Conical bottom design fits most standard floor model and table-top centrifuges
2. Molded graduations in 0.5ml increments
3. Clearly visible with either clear or turbid samples
4. Available in 4 colors: clear, red, yellow, and blue

IV. CAP DESIGN

1. Attached cap

V. PACKAGING

1. Bulk packaged, 500 tubes/pack and 10 packs/case

VI. DESCRIPTION

Item	Volumn	Tooth	Color	Packaging	Sterile
80-1500-S	1.5ml	No	Clear	Bulk, 500 tubes/pack, 10 packs/case	Yes
80-1500	1.5ml	No	Clear	Bulk, 500 tubes/pack, 10 packs/case	No
80-1501	1.5ml	No	Red	Bulk, 500 tubes/pack, 10 packs/case	No
80-1502	1.5ml	No	Yellow	Bulk, 500 tubes/pack, 10 packs/case	No
80-1503	1.5ml	No	Blue	Bulk, 500 tubes/pack, 10 packs/case	No
80-0500	0.5ml	Yes	Clear	Bulk, 500 tubes/pack, 10 packs/case	No
80-0015	1.5ml	Yes	Clear	Bulk, 500 tubes/pack, 10 packs/case	No
80-0020	2.0ml	Yes	Clear	Bulk, 500 tubes/pack, 10 packs/case	No

VII. STERILITY

- 1.N/A

VIII. CERTIFICATION

Biologix products are manufactured completely according to the TUV ISO 9001:2015 standard.

IX. RESTRICTIONS

Refer to the Chemical Resistance Chart in our catalog, and available within our online catalog.

X. PRODUCT PHOTOS**80 - 1500****80 - 0500****80 - 0015****80 - 0020**

XI. PRODUCT PARAMETER

Dimensions=mm

80-1500 Tube

80-1500-S Tube

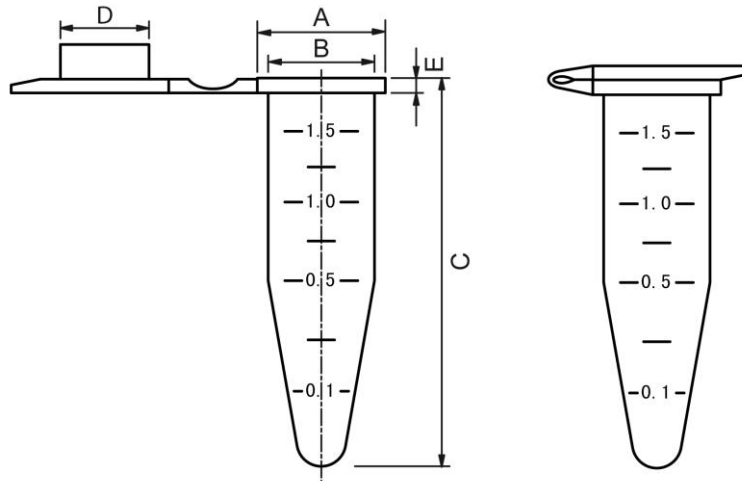
A = O.D. 13.0

B = O.D. 10.8

C = 39.3

D = O.D. 9.0

E = 1.5



80-1500/80-1500-S

80-0015 Tube

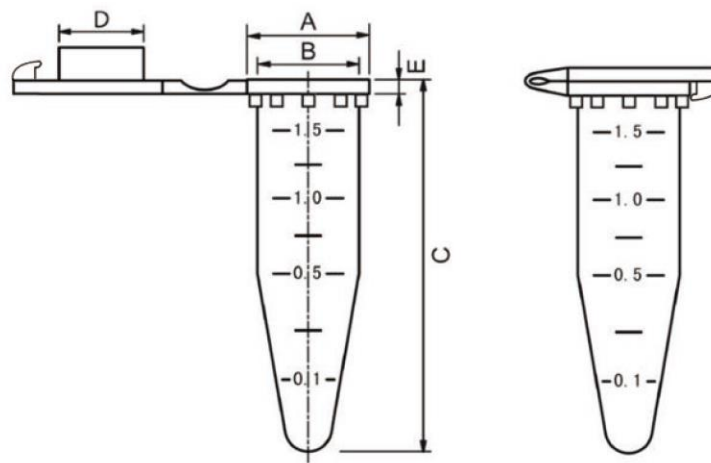
A = O.D. 13.0

B = O.D. 10.8

C = 39.3

D = O.D. 9.0

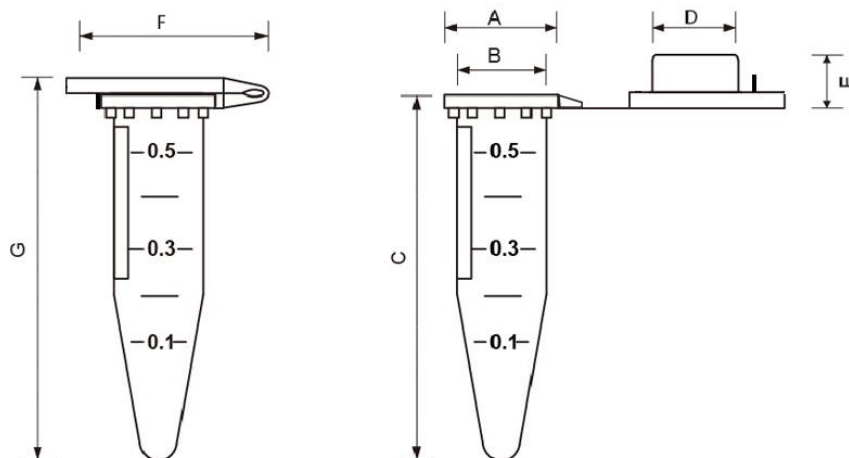
E = 1.5



80-0015

80-0500 Tube

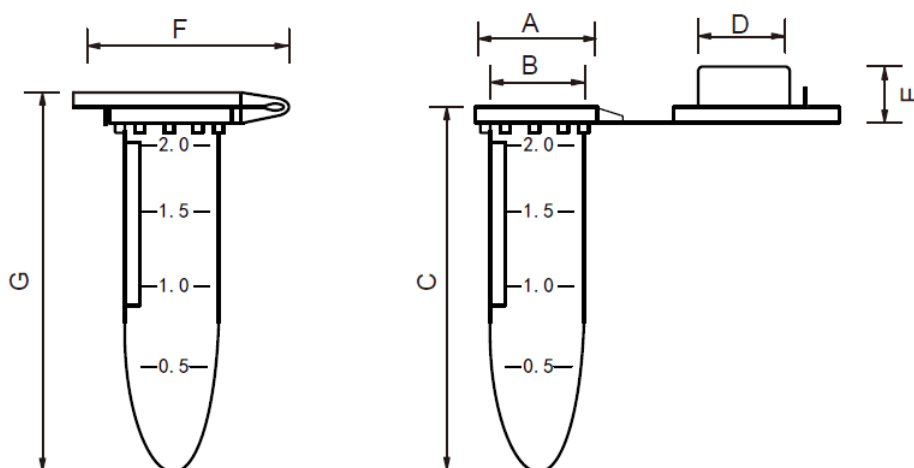
- A** = O.D. 9.5
- B** = O.D. 7.7
- C** = 30.4
- D** = O.D. 7.2
- E** = 4.4
- F** = 15.4
- G** = 31.7



80-0500

80-0020 Tube

- A** = O.D. 11.9
- B** = O.D. 9.0
- C** = 40.6
- D** = O.D. 8.9
- E** = 5.2
- F** = 18.7
- G** = 41.8



80-0020