

## Pipet Tips

### I. APPLICATIONS

1. For use with pipettors for the measure and transfer of liquids/chemicals

### II. FEATURES

1. Materials: Strong, medical-grade polypropylene
2. Chemically resistant to alcohols and mild organic solvents
3. 100% inert
4. Both tips and racks are autoclavable
5. Universal fit
6. Certified RNase & DNase Free

### III. TIP DESIGN

1. 10µl, 200µl, and 1000µl tip sizes
2. All sizes available in non-sterile bulk or sterile racked packaging
3. 10µl and 200µl tip, extended 1000µl, and extra-Long 1000µl are graduated, 1000µl is non-graduated

### IV. PACKAGING

1. Bulk Tips (10µl, 200µl, 1000µl, and Extended 1000µl, Extra-Long 1000µl)
  - a). 10µl: Packaged 1,000 tips/bag, 2 bag/pack, 5 packs/case
  - b). 200µl, 1000µl, Extended 1000µl & Extra-Long 1000µl: Packaged 1,000 tips/bag/pack, 10 packs/case
2. Racked Tips (10µl, 200µl, 1000µl and Extended 1000µl)
  - a). 10µl, 200µl: Packaged 96 tips/rack and 100 racks/case
  - b). 1000µl: Packaged 100 tips/rack and 60 racks/case
  - c). Extended 1000µl: Packaged 96 tips/rack and 60 racks/case

### V. DESCRIPTION

Item	Size	Packaging	Sterile
20-0010	10µl	Bulk, 1,000 /bag, 2 bag/pack, 5 packs/case	No
20-0200	200µl	Bulk, 1,000 /bag/pack, 10 packs/case	No
20-1000	1000µl	Bulk, 1,000 /bag/pack, 10 packs/case	No
20-1250	Extended 1000µl	Bulk, 1,000 /bag/pack, 10 packs/case	No
21-0010	10µl	Racked, 96 tips/rack and 100 racks/case	Yes
21-0200	200µl	Racked, 96 tips/rack and 100 racks/case	Yes
21-1000	1000µl	Racked, 100 tips/rack and 60 racks/case	Yes
21-1250	Extended 1000µl	Racked, 96 tips/rack and 60 racks/case	Yes
20-1251	Extra-Long, 1000µl	Bulk, 1,000 /bag/pack, 10 packs/case	No

## VI. STERILITY

1. Products are EO Sterilized according to ISO13485 standard.
2. For each lot, sterilization records are recorded and signed off by qualified personnel for product release.

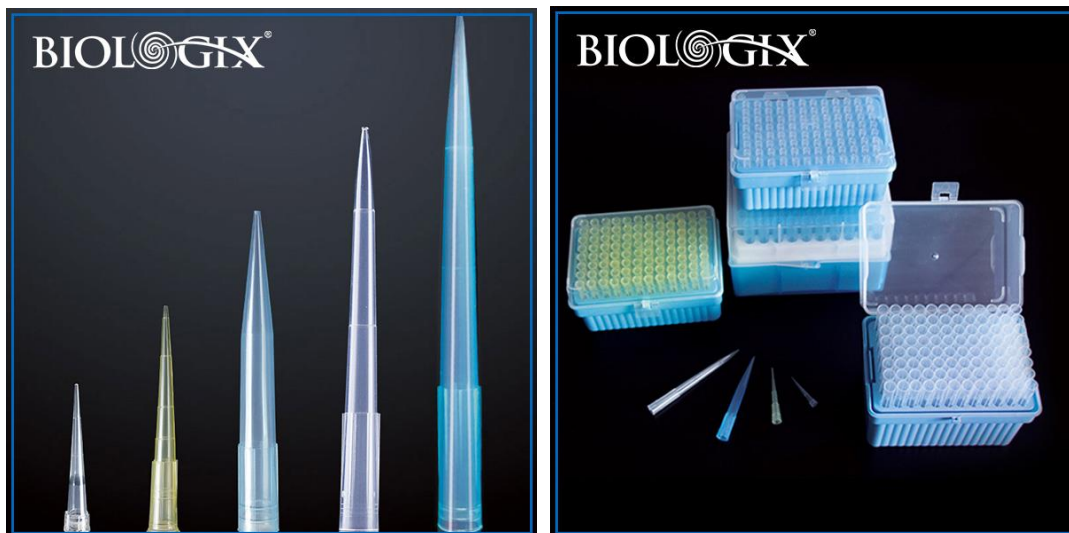
## VII. CERTIFICATION

Biologix products are manufactured completely according to the TUV ISO 9001:2015 standard.

## VIII. RESTRICTIONS

Refer to the Chemical Resistance Chart in our catalog, and available within our online catalog.

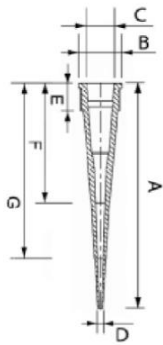
## IX. PRODUCT PHOTOS



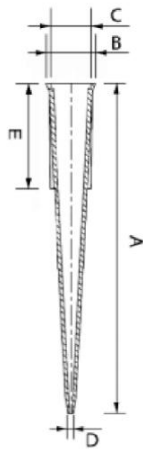
## X. PRODUCT PARAMETER

Dimensions = mm

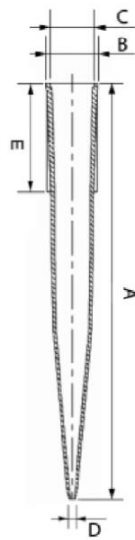
Cat #	Description	A	B	C	D	E	F	G	H
20-0010	Pipet Tip	31.6	O.D. 6.0	O.D. 3.8	O.D. 0.86	3.9	16.8	24.7	-
20-0200	Pipet Tip	50.5	O.D. 7.5	O.D. 6.1	O.D. 0.9	16.1	-	-	-
20-1000	Pipet Tip	77.9	O.D. 9.6	O.D. 8.2	O.D. 1.1	20.3	-	-	-
20-1250	Pipet Tip	88.42	43.41	17.75	25.53	O.D. 7.43	O.D. 8.6	O.D. 1.3	O.D.0.72
20-1251	Pipet Tip	101.65	49.22	25.58	28.50	O.D. 7.90	O.D. 8.71	O.D. 1.47	O.D.0.71



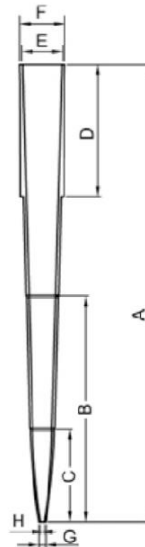
20-0010



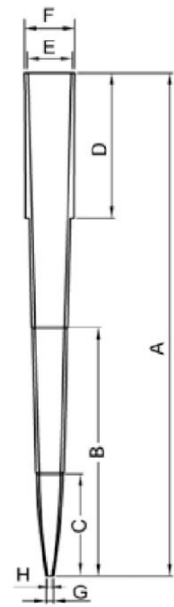
20-0200



20-1000

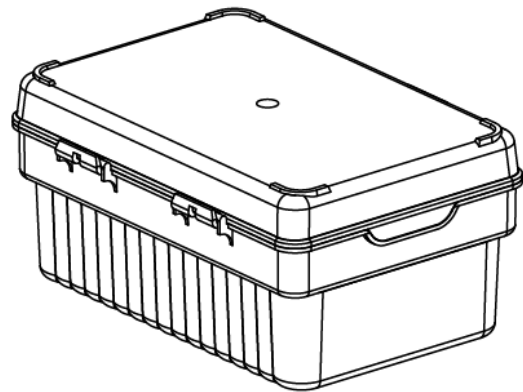
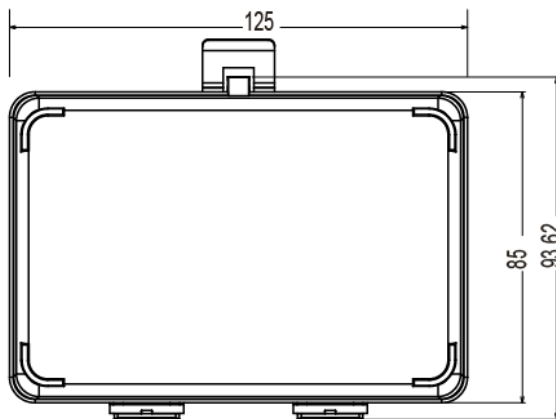
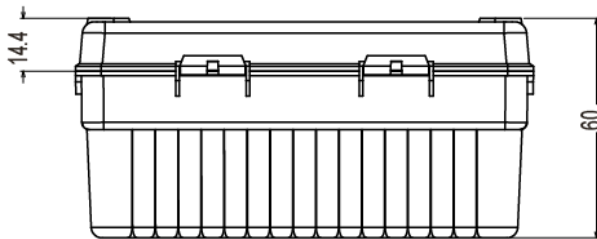


20-1250

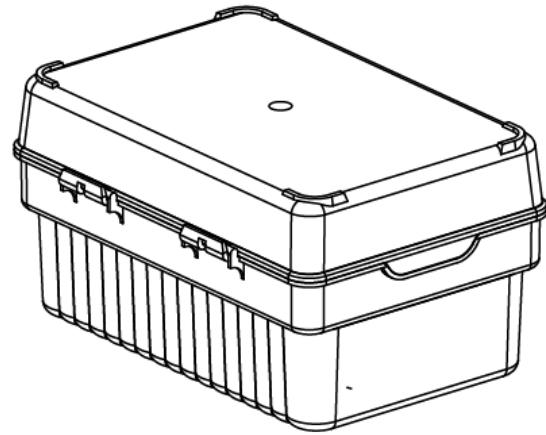
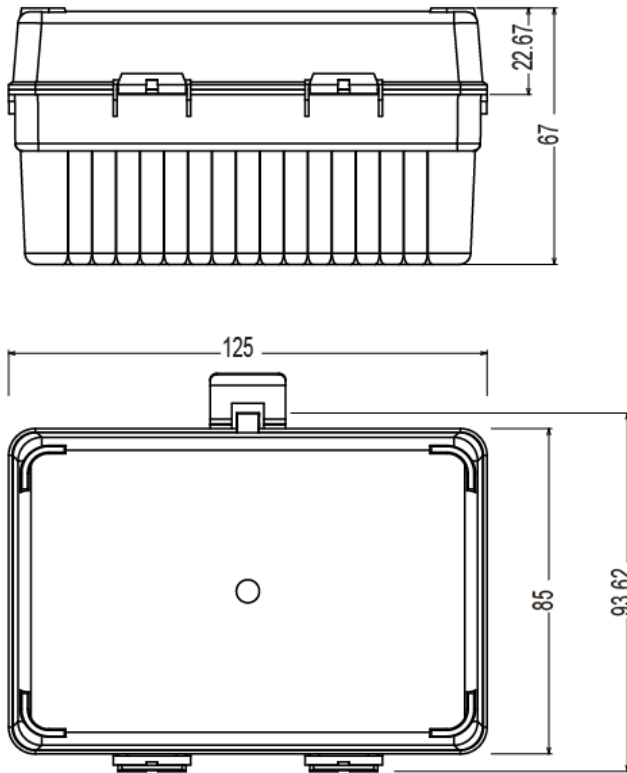


20-1251

**Dimensions=mm**



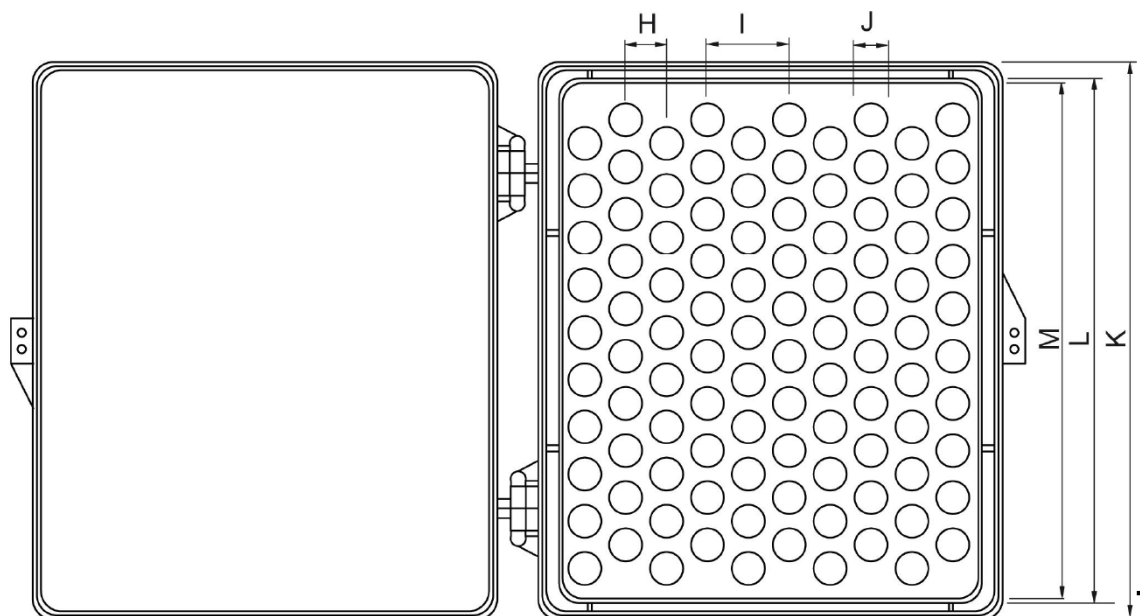
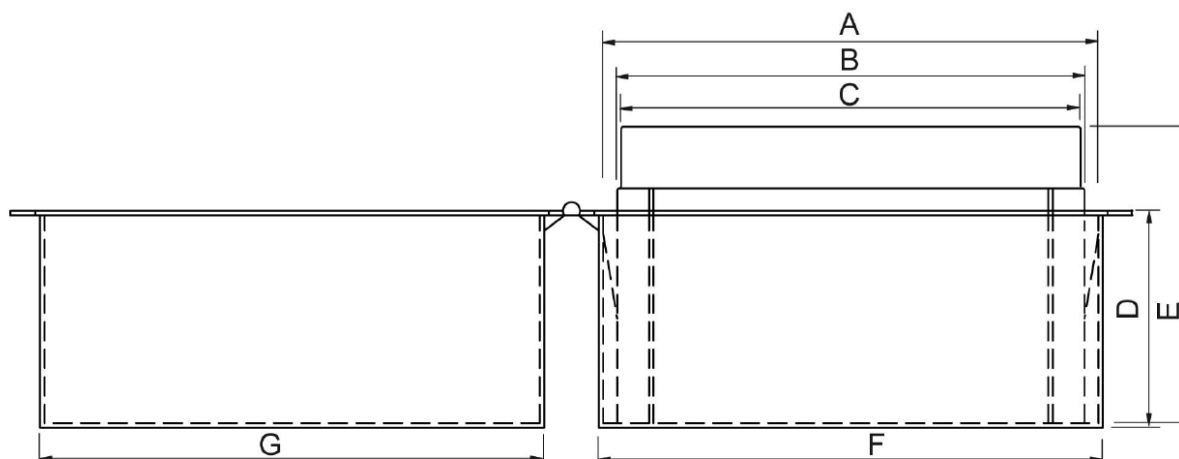
21-0010



21-0200

**Dimensions=mm**

Cat #	Description	A	B	C	D	E	F	G
21-1000	Rack	109.3	103.1	101.4	48.43	65.2	111.3	111.3
		H	I	J	K	L	M	-
		11.52	19.95	∅ 8.02	136	128	125.8	-



21-1000

Dimensions=mm

Cat #	Description	A	B	C	D	E	F	G
21-1250	Rack	69.8	30.2	26	3.2	18.6	191.91	173.8
		H	I	J	K	L	-	-
		85.2	85.4	99	63	9	-	-

