

Cell Culture Dishes

I. APPLICATIONS

1. For the use of the culture of microorganisms or cells

II. FEATURES

1. Vacuum plasma surface treatment ensures excellent cell adhesion
2. Non-pyrogenic
3. Non-cytotoxic
4. DNase, RNase, and human DNA free
5. Surface Treatment
6. Sterile

III. DESIGN

1. Lid design promotes effective gas exchange
2. External grip for easier handling (07-3035 and 07-3060)
3. Smooth, transparent materials facilitate observation of cells through a microscope
4. Raised edges for convenient stacking

IV. PACKAGING

1. Bulk, 10 Pieces/bag, 500 Pieces/case. (07-3035, 07-3060)
2. Bulk, 10 Pieces/bag, 200 Pieces/case. (07-3100)
3. Bulk, 10 Pieces/bag, 120 Pieces/case. (07-3150)

V. DESCRIPTION

Item	Dish style d×h(mm)	Internal Dimensions d×h(mm)	Culture Area (cm ²)	Working Volume (ml)	External Grip	Packaging
07-3035	35.00×10.00	34.30×9.30	9.40	3.00	YES	10 Pieces/bag, 500 Pieces/case
07-3060	60.00×15.00	52.80×12.80	21.50	5.00	YES	10 Pieces/bag, 500 Pieces/case
07-3100	90.00×20.00	86.26×17.70	57.50	12.50	NO	10 Pieces/bag, 200 Pieces/case
07-3150	150.00×25.00	140.20×23.30	148.00	35.00	NO	10 Pieces/bag, 120 Pieces/case

VI. STERILITY

1. Sterile

VII. CERTIFICATION

Biologix products are manufactured completely according to the TUV ISO 9001:2008 standard.

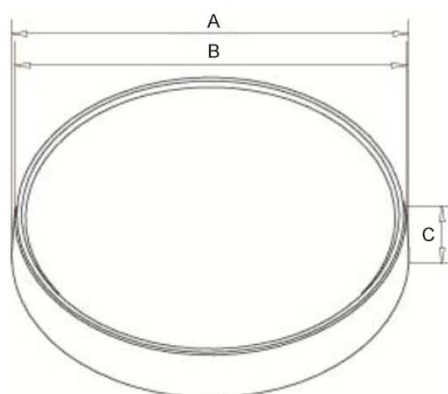
VIII. RESTRICTIONS

Refer to the Chemical Resistance Chart in our catalog, and available within our online catalog.

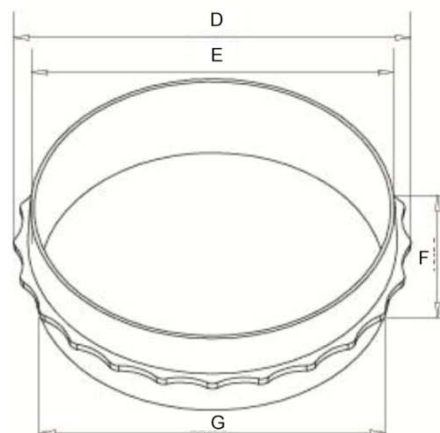
IX. PRODUCT PARAMETER

Dimensions=mm

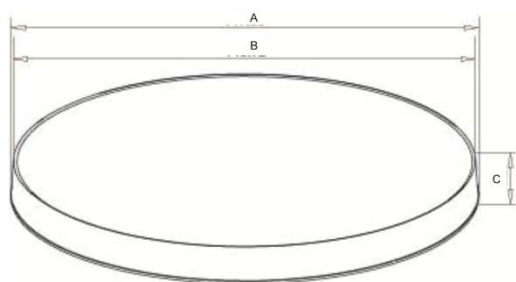
Cat #	Description	A	B	C	D	E	F	G
07-3035	Cell Culture Dish	40.30	39.00	6.00	40.30	36.98	10.90	35.00
07-3060	Cell Culture Dish	58.00	56.71	8.50	58.00	55.17	14.00	52.80
07-3100	Cell Culture Dish	93.10	91.20	9.30	89.40		19.20	86.26
07-3150	Cell Culture Dish	148.50	145.50	12.20	143.20		25.40	140.93



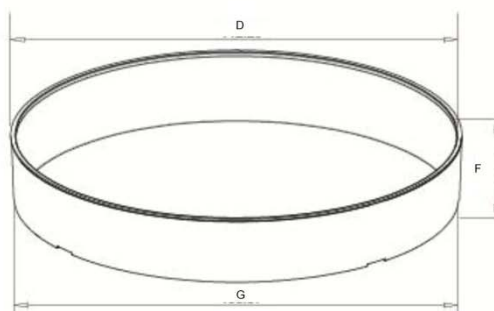
07-3035



07-3060



07-3100



07-3150