

Cell Culture Plates

I. APPLICATIONS

- 1.Used to handle multiple culture samples in a single experiment.

II. FEATURES

- 1.Constructed of prime virgin polystyrene
- 2.Individually packaged
- 3.Non-pyrogenic
- 4.Non-cytotoxic
- 5.DNase, RNase,and human DNA free
- 6.Surface Treatment
- 7.Sterile

III. DESIGN

- 1.Plate cover design minimizes the risk of cross contamination.
- 2.Thin-walled well bottoms increase thermal consistency, reducing the edge effect.
- 3.Flat well bottoms provide excellent clarity for microscopic examination of samples.
4. Raised well rim design around each well enables secure sealing and safeguards against evaporation.

IV. PACKAGING

- 1.Individual package, 1 Piece/bag, 50 Bags/case

V. DESCRIPTION

Item	Description	Culture Area (cm ²)	Working Volume(ml)	Packaging
07-6006	Cell Culture Plate	9.60	3.00	1 Piece/bag, 50 Bags/case
07-6012	Cell Culture Plate	3.80	2.00	1 Piece/bag, 50 Bags/case
07-6024	Cell Culture Plate	1.90	1.00	1 Piece/bag, 50 Bags/case
07-6048	Cell Culture Plate	0.75	0.50	1 Piece/bag, 50 Bags/case
07-6096	Cell Culture Plate	0.33	0.20	1 Piece/bag, 50 Bags/case

VI. STERILITY

1. Sterile

VII. CERTIFICATION

Biologix products are manufactured completely according to the TUV ISO 9001:2015 standard.

VIII. RESTRICTIONS

Refer to the Chemical Resistance Chart in our catalog, and available within our online catalog

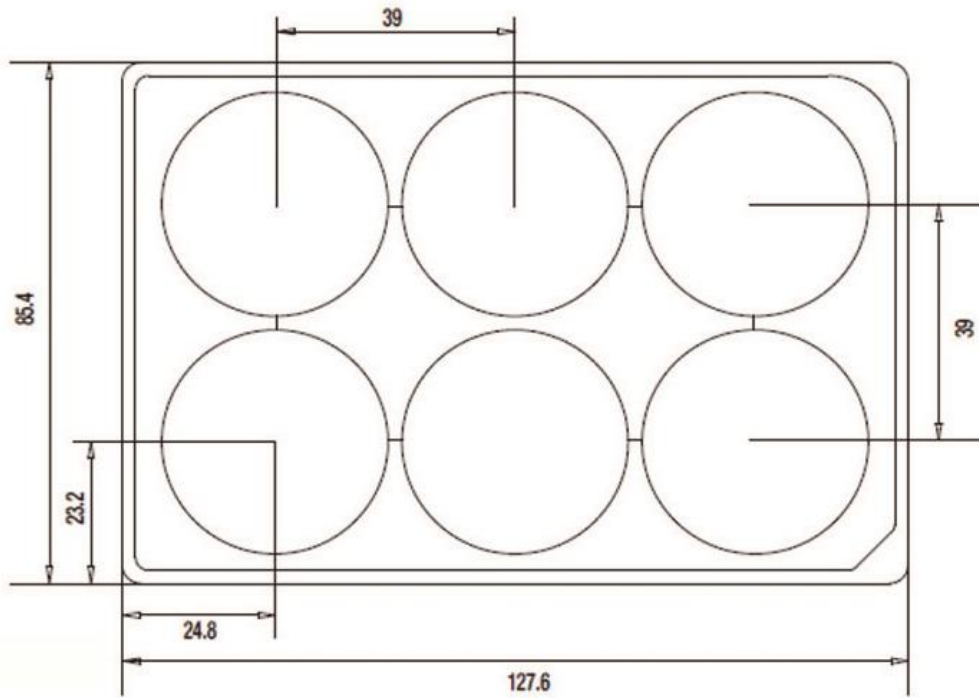
IX. PRODUCT PHOTOS



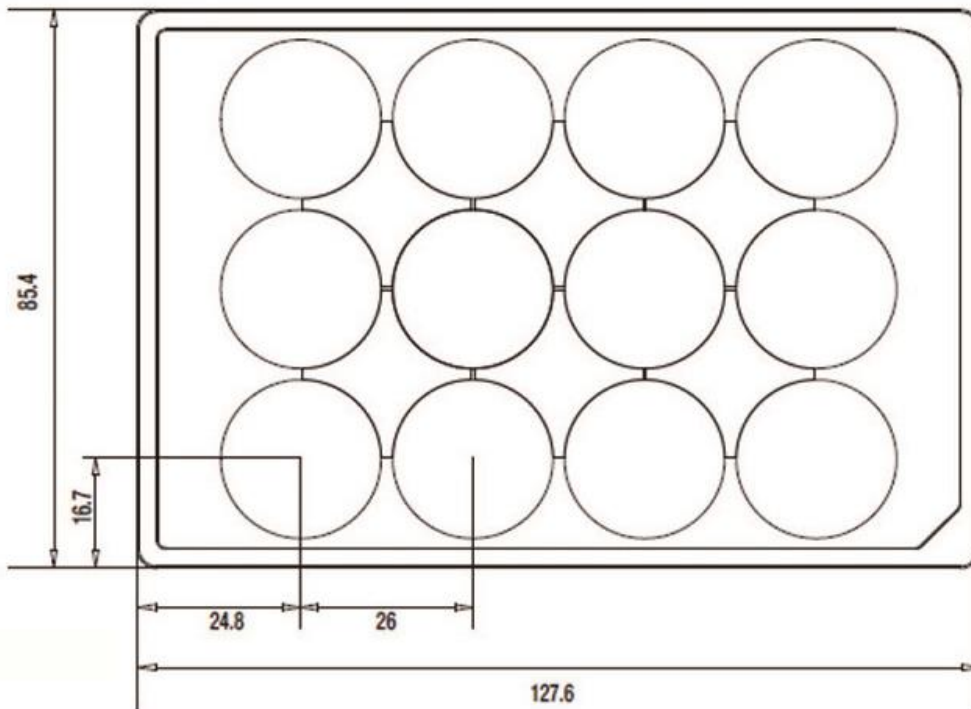
X. PRODUCT PARAMETER

Dimensions=mm

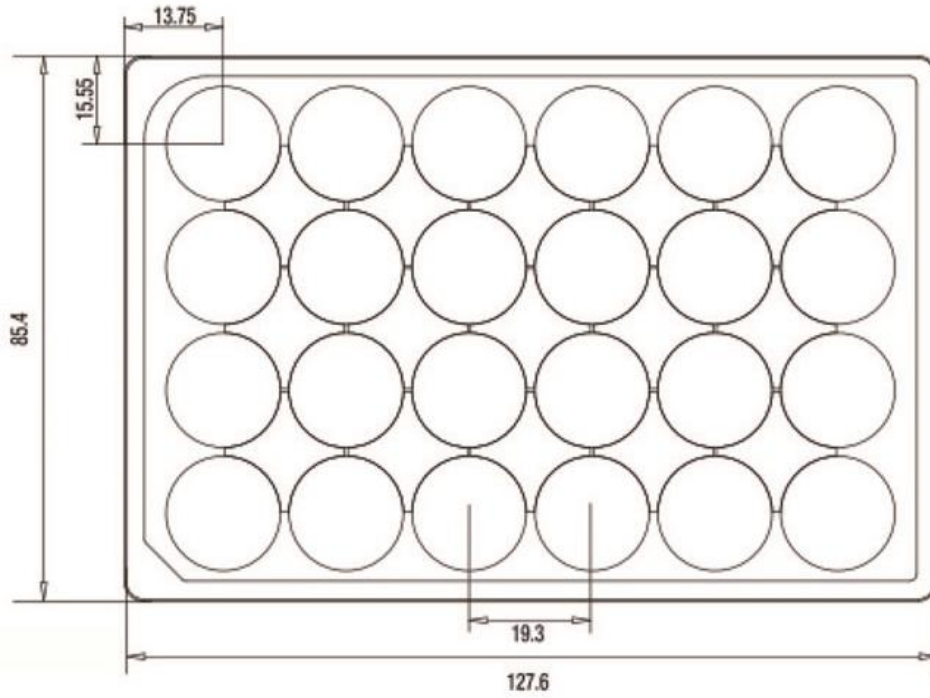
Cat #	Description	Well	External Dimensions w×l×h(mm)	Well Dimensions d×h(mm)
07-6006	Cell Culture Plate	6-well	85.40×127.60×20.20	35.00×17.50
07-6012	Cell Culture Plate	12-well	85.40×127.60×20.20	21.90×17.50
07-6024	Cell Culture Plate	24-well	85.40×127.60×20.20	15.50×17.50
07-6048	Cell Culture Plate	48-well	85.40×127.60×20.20	9.75×17.50
07-6096	Cell Culture Plate	96-well	85.40×127.60×14.40	6.50×10.80



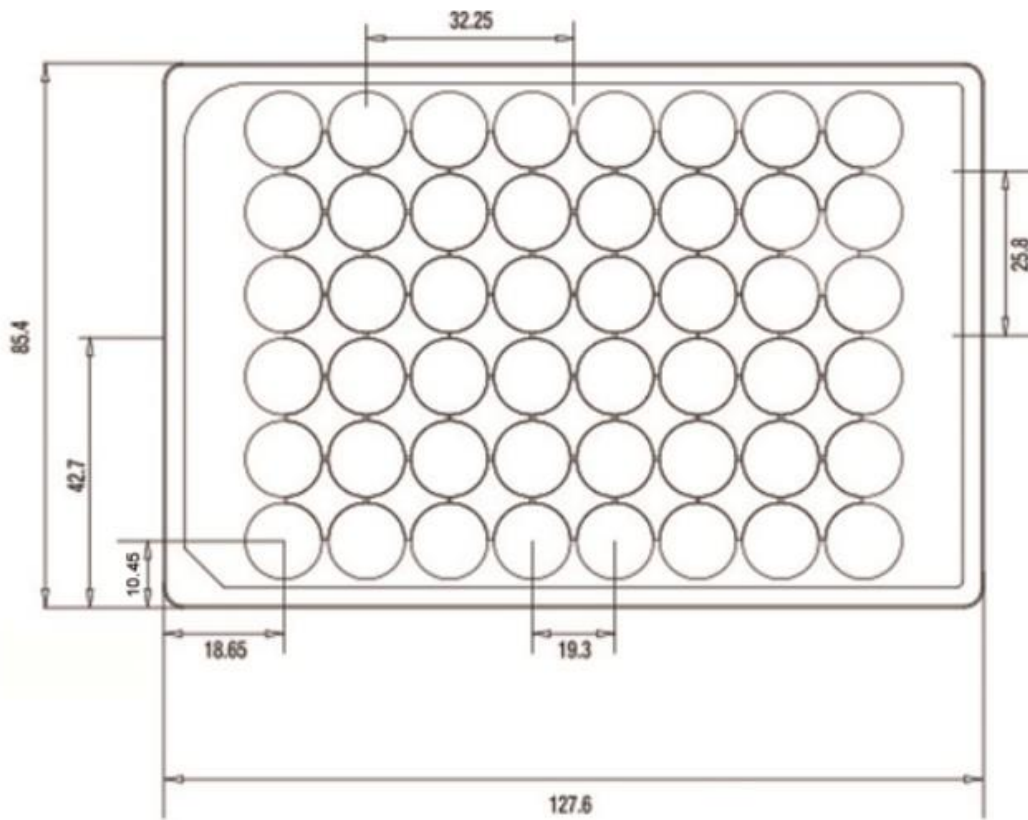
07-6006



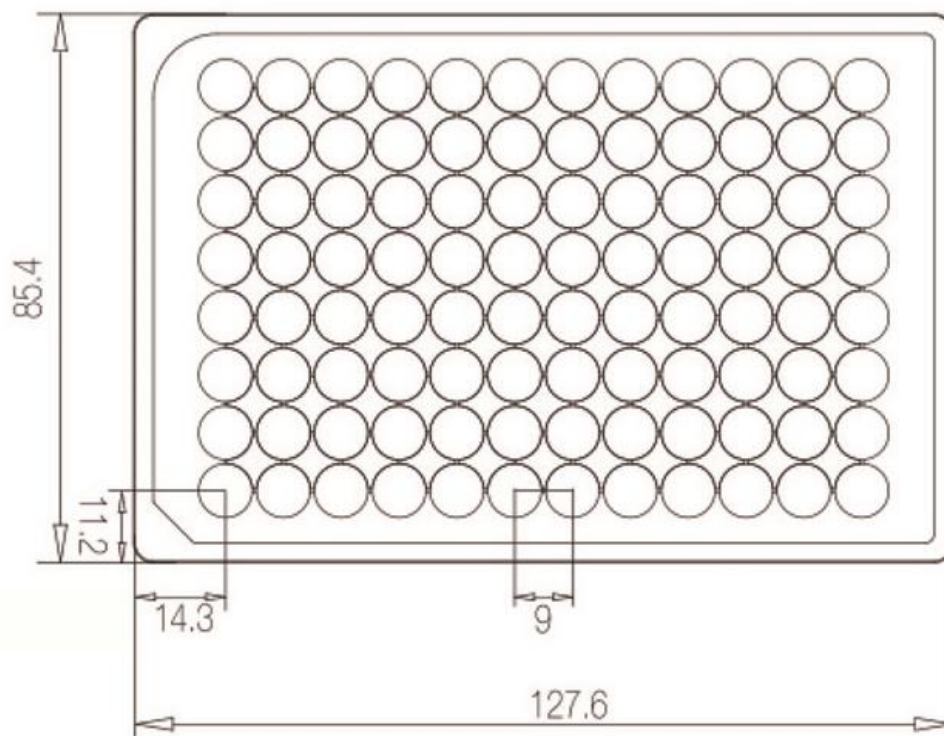
07-6012



07-6024



07-6048



07-6096