

Product Name:	Cryogenic Vial Low Retention
Product Application:	<p>Ideal for cryopreservation of cells and other samples. The lowest temperature can withstand -196°C (with screw cap). All our polypropylene pipes are suitable for low temperature storage, except for liquid nitrogen.</p> <p>Sterile cryoprobes with external and internal threads Low Retention Googlab Professional Line to -196°C, self-storing in a 2.0 ml version with graduations accurate to ± 2%, equipped with a clear marking zone, are used for storing all types of cells and tissues, human, animal and any other biological material. They are particularly recommended for deep-frozen samples placed in low-temperature freezers.</p>
Product Materials:	PP(tube) + PE(cap)
Product Specifications:	<p>Temperature range: stored at room temperature Shelf life: 3 Years after date of production (ensure package is in good)</p>
Sterilization:	<p>High protection against cross-contamination Fully automated production and clean room conditions EO sterilisation</p>
RNase/DNase:	Non-Pyrogenic
Pyrogens:	DNase/RNase free
BSE/TSE:	These products are deemed animal free.
Performance Testing:	<p>Each manufacturing lot is sampled and tested in accordance with standard operating procedures. Appearance inspection: qualified Sealing test: qualified Freeze testing: qualified Packaging inspection: qualified</p>
Features:	<ul style="list-style-type: none"> • Low-adhesion, low-retention • Autoclavable, resistant to freezing and boiling • Can be frozen and thawed repeatedly • With a seal for increased tightness • Made of non-toxic, high-strength PP • Highly clear, made from medical grade polypropylene. • Available capacities: 2.0ml • Small unit packs of only 100pcs • Available in screw cap version • With clear white measurement scale and white writing field • Proper design ensures easy closing and opening • Featuring a stopper that allows the caps to be unscrewed and screwed on when the cryoprobe is placed in the stands, using only one hand • High leak-tightness • Suitable for temperatures from -196°C do +80°C • High clarity and compatibility

Warehouse in Europe

GenoPlast Biotech S.A.
 Street. Brzozowa 8
 83-200 Rokocin
 Poland

E-mail: office@genoplast.com

Warehouse in the USA

GoogLab Scientific USA LLC
 969 2nd Street SE
 Charlottesville, VA 22902

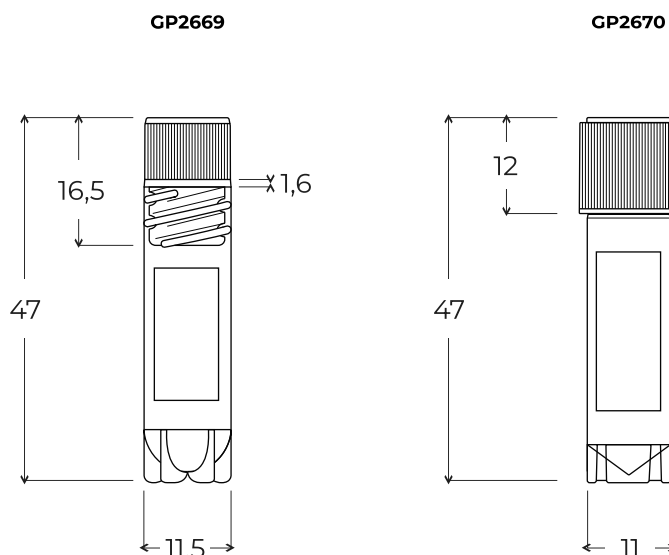
E-mail: office@googlab.com

Product Description:

Cryogenic Vial Low Retention

Cat. No.	Volume (ml)	Sterile	Product description	Pack	Cases
GP2670	2,0ml	Yes	External Thread	5x100pcs.	500pcs.
GP2669	2,0ml	Yes	Internal Thread	5x100pcs.	500pcs.

Technical Drawing:



Warehouse in Europe

GenoPlast Biotech S.A.
Street. Brzozowa 8
83-200 Rokocin
Poland

E-mail: office@genoplast.com

Warehouse in the USA

GoogLab Scientific USA LLC
969 2nd Street SE
Charlottesville, VA 22902

E-mail: office@googlab.com