

3. Autoclavable
4. Centrifugal strength up to 3000g
5. Compatible with multi-channel pipette and automatic equipment
6. Optimized bottom design to minimize residual volume
7. Alphabetical sorting and corner cut marking for convenient tracking of samples.
8. Conform to SBS/ ANSI
9. Specific 96 well deep plate used in nucleic acid extraction
10. Stackable, reliable tight sealing
11. Non-pyrogenic, DNase/RNase free

Product Range

Round Well

Cat. No.	Product Description	sterilized	Packing
504102	3.5 mL 48-Well Deep Well Plate, U-Bottom, Round Well	customizable	5/pack, 50/case
500101	0.36 mL 96-Well Deep Well Plate, V-Bottom, Round Well	NO	10/pack, 50/case
501102	0.4 mL 96-Well Deep Well Plate, U-Bottom, Round Well	YES	10/pack, 50/case
501101	0.5 mL 96-Well Deep Well Plate, V-Bottom, Round Well	NO	10/pack, 50/case
501601		YES	5/pack, 50/case
502102	1.0 mL 96-Well Deep Well Plate, U-Bottom, Round Well	NO	5/pack, 50/case
502162		YES	5/pack, 50/case
507001	1.3mL 96-Well Deep Well Plate, U-Bottom, Round Well	NO	5/pack, 50/case
507101		YES	5/pack, 50/case
503102	2.0 mL 96-Well Deep Well Plate, U-Bottom, Round Well	NO	5/pack, 50/case
503162		YES	5/pack, 50/case

Square Well

Cat. No.	Product Description	Sterilized	Packing
504002	4.6 mL 48-Well Deep Well Plate, U-Bottom, Square Well	YES	5/pack, 50/case
504062		NO	5/pack, 50/case
501002	1.0 mL 96-Well Deep Well Plate, U-Bottom, Square Well	NO	10/pack, 50/case
501062		YES	10/pack, 50/case
502002	1.6 mL 96-Well Deep Well Plate, U-Bottom, Square Well	customizable	5/pack, 50/case
503001	2.0 mL 96-Well Deep Well Plate, V-Bottom, Square Well	NO	5/pack, 50/case
503501		YES	5/pack, 50/case

Head Office No. 530, Xida Road, Meicun Industrial Park, Xinwu District, Wuxi, Jiangsu, China
 Tel: +86+ 510-6800 6788 Email: info@nest-wuxi.com
 Online: www.cell-nest.com

Oversea NEST USA (New Jersey/ Phoenix)
 NEST scientific 株式会社 (Yokohama, Japan)
 NEST Scientific Europe B.V (Netherlands)
 Nest Scientific (MENA) FZE (Sharjah, United Arab Emirates)

DATA SHEET



ISO9001 & ISO13485 & ISO11137

503002	2.2 mL 96-Well Deep Well Plate, U-Bottom, Square Well	NO	5/pack, 50/case
503062		YES	5/pack, 50/case
503711	2.2mL, 96-well, I-shaped, Square Well, U-Bottom	NO	5/pack, 50/case
503761		YES	5/pack, 50/case
510011	16mL 24-Well Deep Well Plate + Plastic Comb, Square Well, V-Bottom	customizable	1 /pack, 25/case
510001	16mL 24-Well Deep Well Plate, Square Well, V-Bottom	YES	1/pack, 25/case
503621	NEST™Mag Pure® 2.2 mL 96-Well Deep Well Plate, V-Bottom, Square Well, Compatible with Kingfisher Flex &Presto	YES	5/pack, 50/case
503021		NO	
500621	NEST™Mag Pure® 0.5 mL 96-Well Deep Well Plate, V-Bottom, Square Well, Compatible with Kingfisher Flex &Presto	YES	5/pack, 50/case
500021		NO	5/pack, 50/case

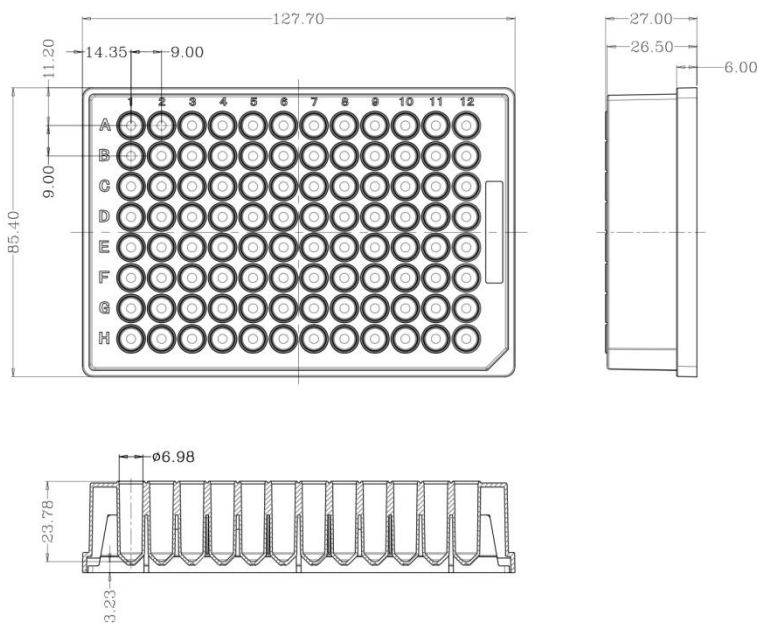
Head Office No. 530, Xida Road, Meicun Industrial Park, Xinwu District, Wuxi, Jiangsu, China
 Tel: +86+ 510-6800 6788 Email: info@nest-wuxi.com
 Online: www.cell-nest.com

Oversea NEST USA (New Jersey/ Phoenix)
 NEST scientific 株式会社 (Yokohama, Japan)
 NEST Scientific Europe B.V (Netherlands)
 Nest Scientific (MENA) FZE (Sharjah, United Arab Emirates)

Technical Drawing

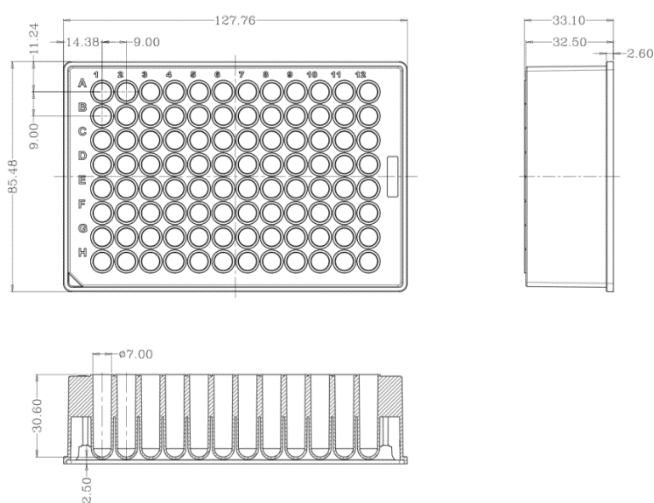
Cat.No.:501101/501601

501101



Cat.No.:502102/502162

502102

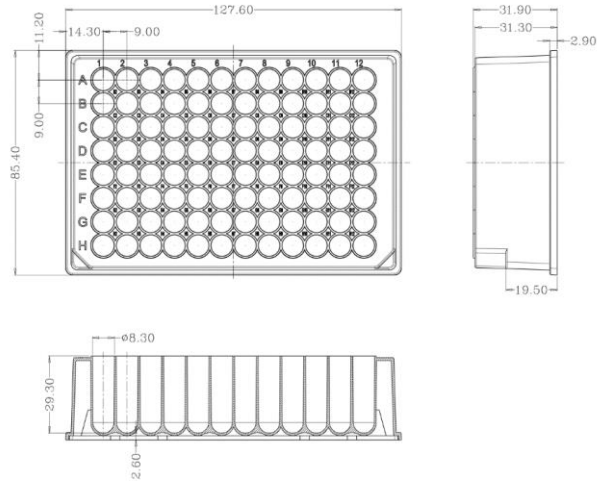


Head Office No. 530, Xida Road, Meicun Industrial Park, Xinwu District, Wuxi, Jiangsu, China
 Tel: +86+ 510-6800 6788 Email: info@nest-wuxi.com
 Online: www.cell-nest.com

Oversea NEST USA (New Jersey/ Phoenix)
 NEST scientific 株式会社 (Yokohama, Japan)
 NEST Scientific Europe B.V (Netherlands)
 Nest Scientific (MENA) FZE (Sharjah, United Arab Emirates)

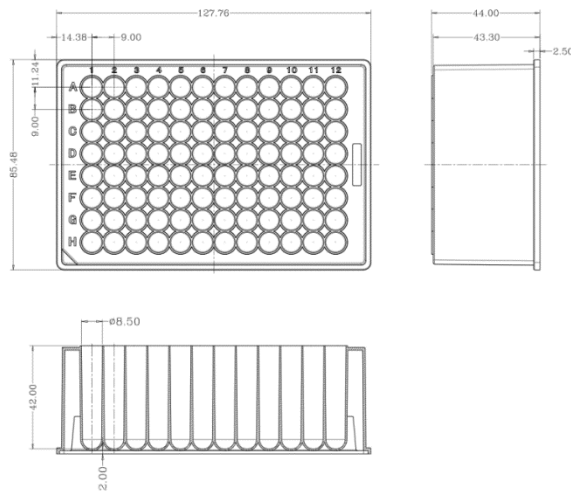
Cat.No.: 507001/507101

507001



Cat.No.:503102/503162

503102

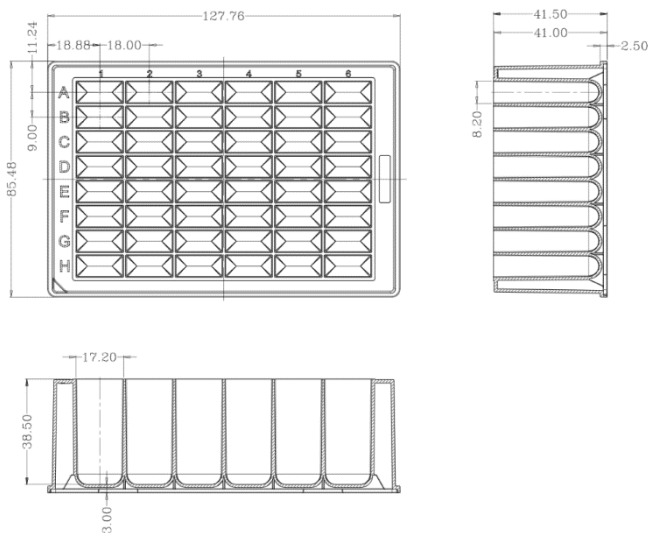


Head Office No. 530, Xida Road, Meicun Industrial Park, Xinwu District, Wuxi, Jiangsu, China
 Tel: +86+ 510-6800 6788 Email: info@nest-wuxi.com
 Online: www.cell-nest.com

Oversea NEST USA (New Jersey/ Phoenix)
 NEST scientific 株式会社 (Yokohama, Japan)
 NEST Scientific Europe B.V (Netherlands)
 Nest Scientific (MENA) FZE (Sharjah, United Arab Emirates)

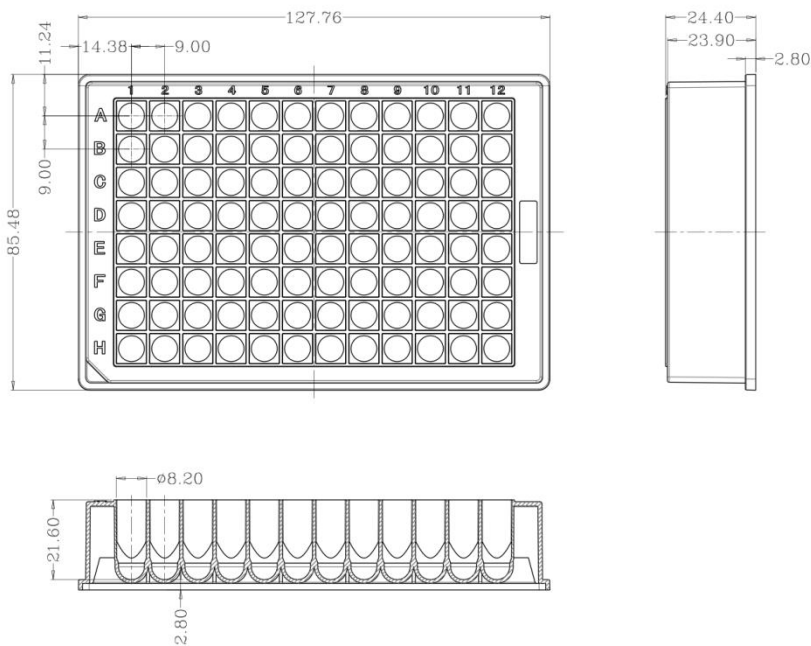
Cat.No.:504002/504062

504002



Cat.No.:501002/501062:

501002

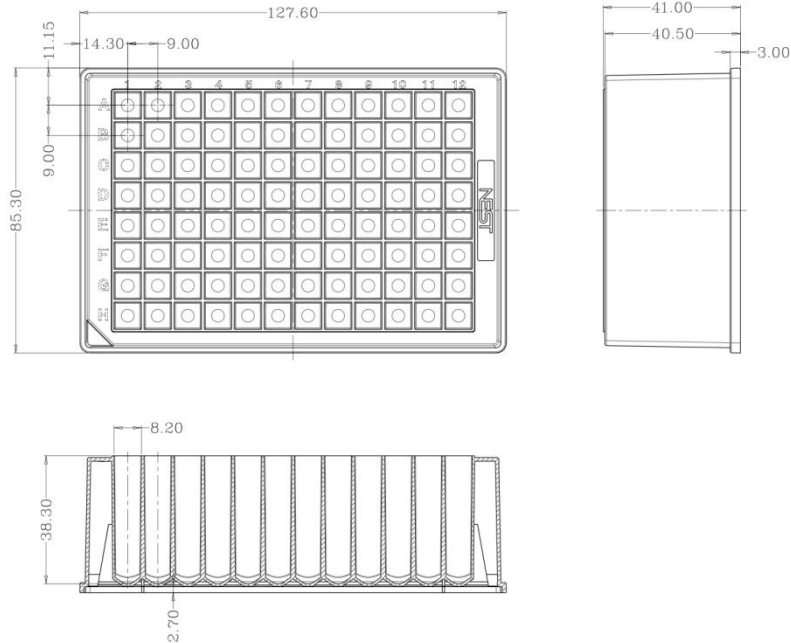


Head Office No. 530, Xida Road, Meicun Industrial Park, Xinwu District, Wuxi, Jiangsu, China
 Tel: +86+ 510-6800 6788 Email: info@nest-wuxi.com
 Online: www.cell-nest.com

Oversea NEST USA (New Jersey/ Phoenix)
 NEST scientific 株式会社 (Yokohama, Japan)
 NEST Scientific Europe B.V (Netherlands)
 Nest Scientific (MENA) FZE (Sharjah, United Arab Emirates)

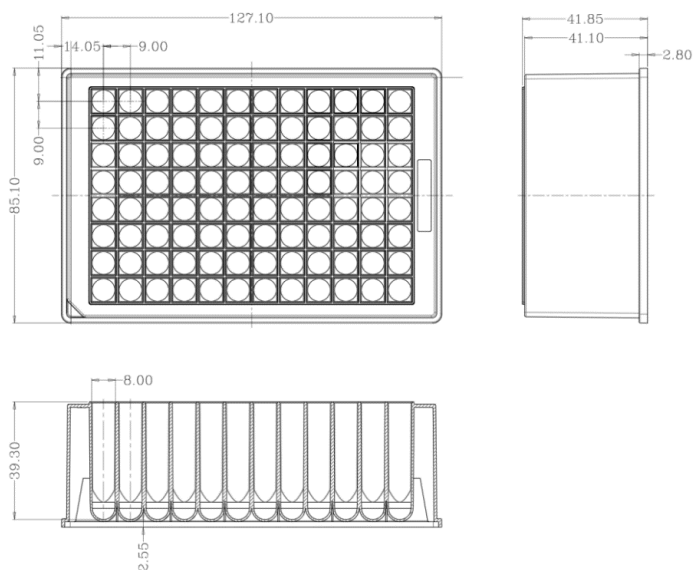
Cat.No.:503001/503501:

503001



Cat.No.:503002/503062:

503002

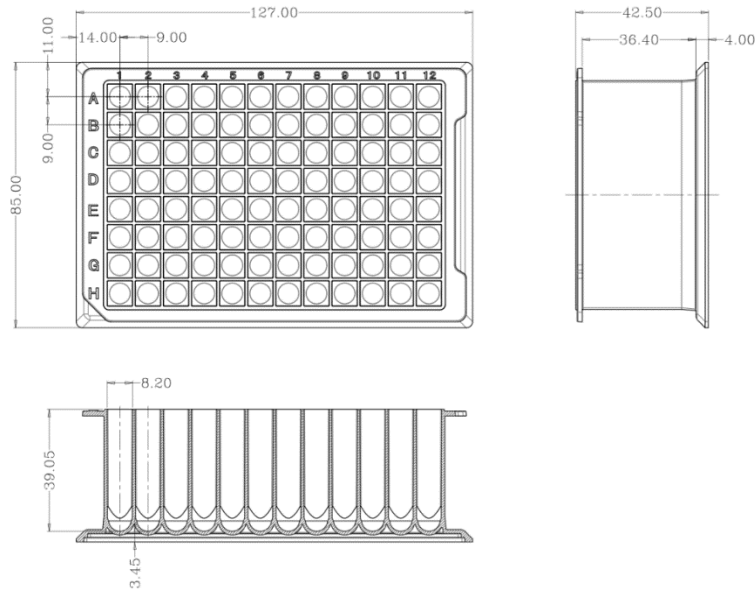


Head Office No. 530, Xida Road, Meicun Industrial Park, Xinwu District, Wuxi, Jiangsu, China
 Tel: +86+ 510-6800 6788 Email: info@nest-wuxi.com
 Online: www.cell-nest.com

Oversea NEST USA (New Jersey/ Phoenix)
 NEST scientific 株式会社 (Yokohama, Japan)
 NEST Scientific Europe B.V (Netherlands)
 Nest Scientific (MENA) FZE (Sharjah, United Arab Emirates)

Cat.No.:503711/503761:

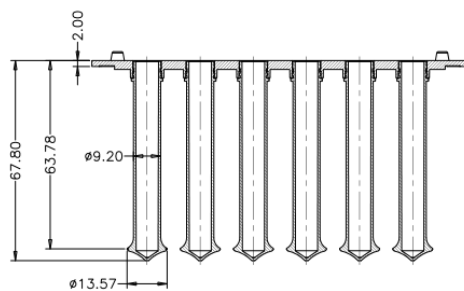
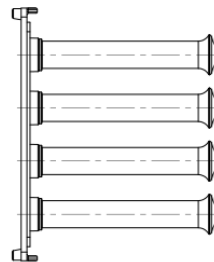
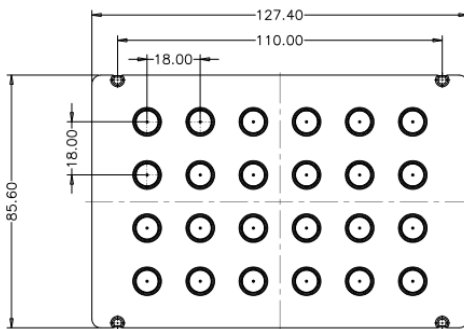
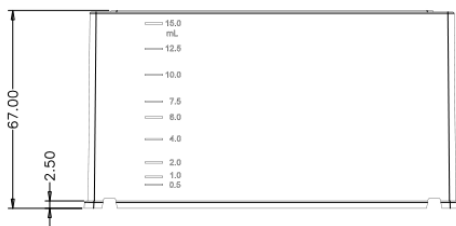
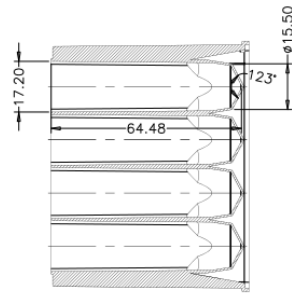
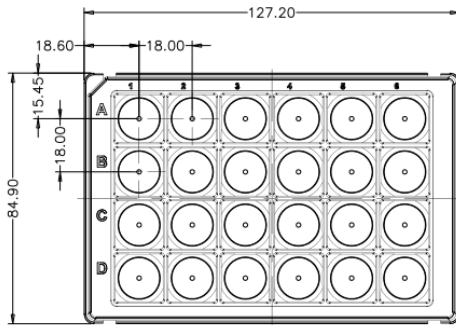
503711



Head Office No. 530, Xida Road, Meicun Industrial Park, Xinwu District, Wuxi, Jiangsu, China
Tel: +86+ 510-6800 6788 Email: info@nest-wuxi.com
Online: www.cell-nest.com

Oversea NEST USA (New Jersey/ Phoenix)
NEST scientific 株式会社 (Yokohama, Japan)
NEST Scientific Europe B.V (Netherlands)
Nest Scientific (MENA) FZE (Sharjah, United Arab Emirates)

Cat.No.:510011/510001/509001:

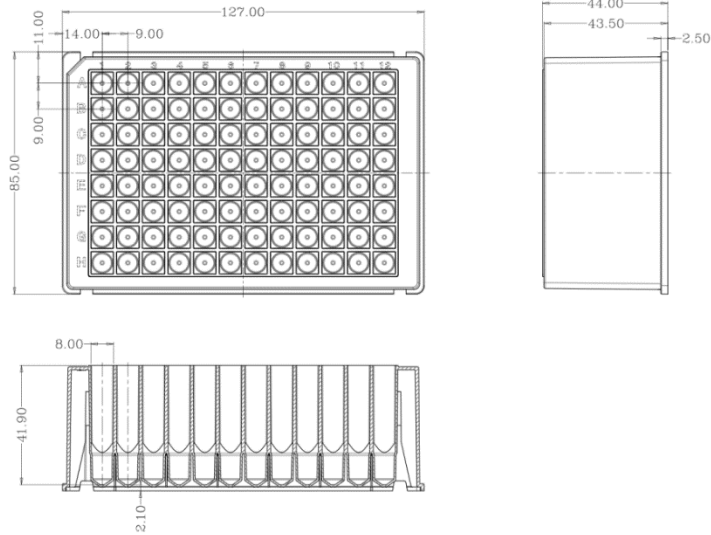


Head Office No. 530, Xida Road, Meicun Industrial Park, Xinwu District, Wuxi, Jiangsu, China
 Tel: +86+ 510-6800 6788 Email: info@nest-wuxi.com
 Online: www.cell-nest.com

Oversea NEST USA (New Jersey/ Phoenix)
 NEST scientific 株式会社 (Yokohama, Japan)
 NEST Scientific Europe B.V (Netherlands)
 Nest Scientific (MENA) FZE (Sharjah, United Arab Emirates)

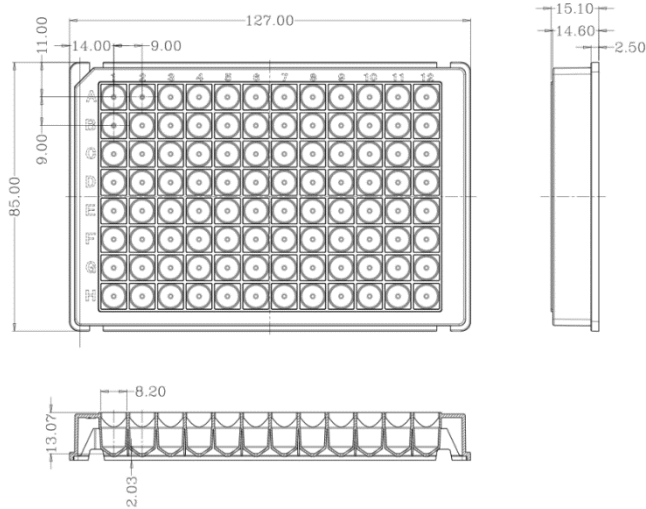
Cat.No.503621/503021:

503021



Cat.No.:500621/500021:

500021

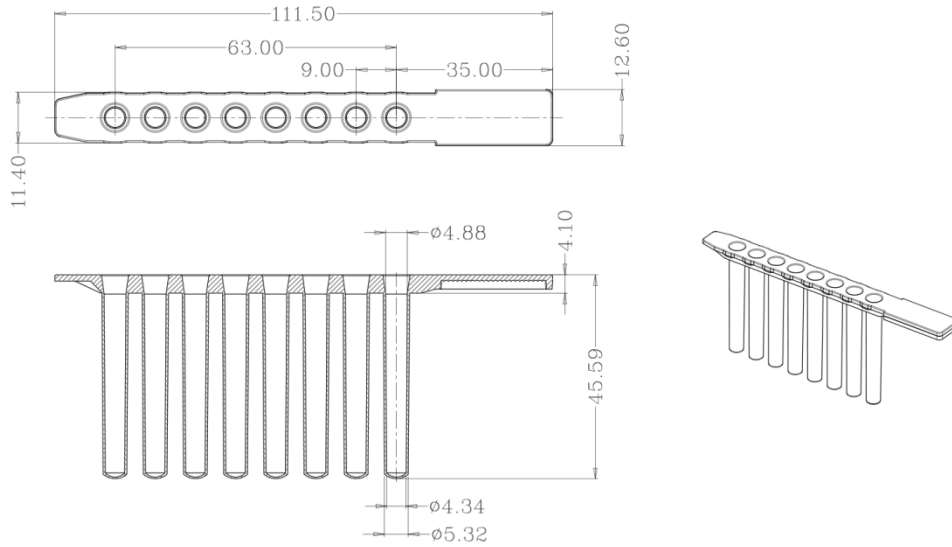


Head Office No. 530, Xida Road, Meicun Industrial Park, Xinwu District, Wuxi, Jiangsu, China
Tel: +86+ 510-6800 6788 Email: info@nest-wuxi.com
Online: www.cell-nest.com

Oversea NEST USA (New Jersey/ Phoenix)
NEST scientific 株式会社 (Yokohama, Japan)
NEST Scientific Europe B.V (Netherlands)
Nest Scientific (MENA) FZE (Sharjah, United Arab Emirates)

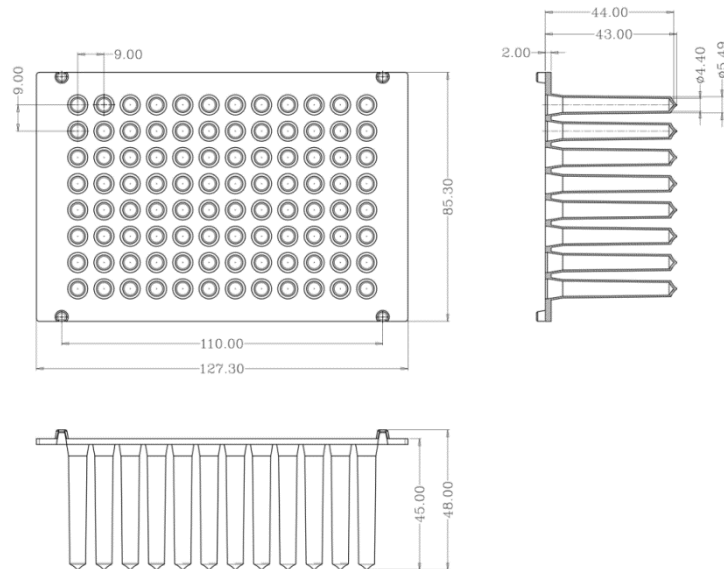
Cat.No.509211/509261:

509211



Cat.No.503361/503311:

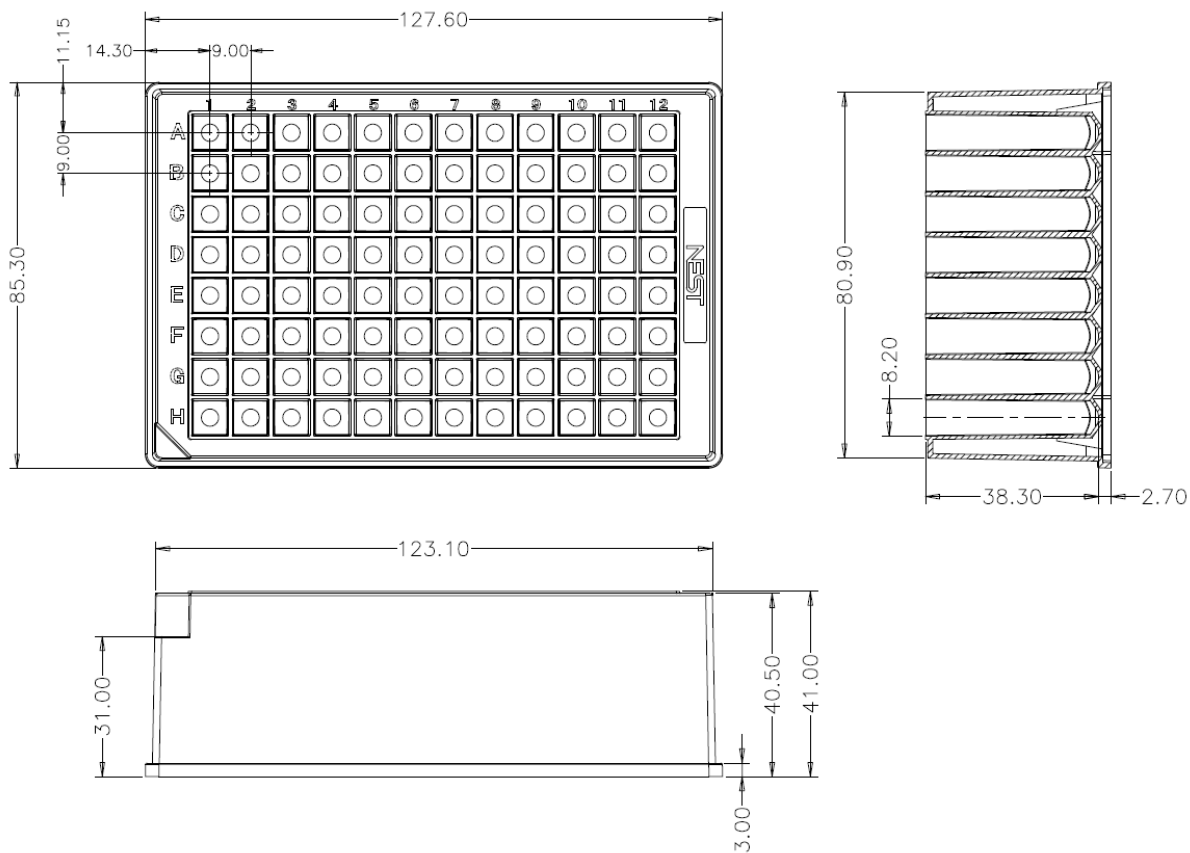
503311



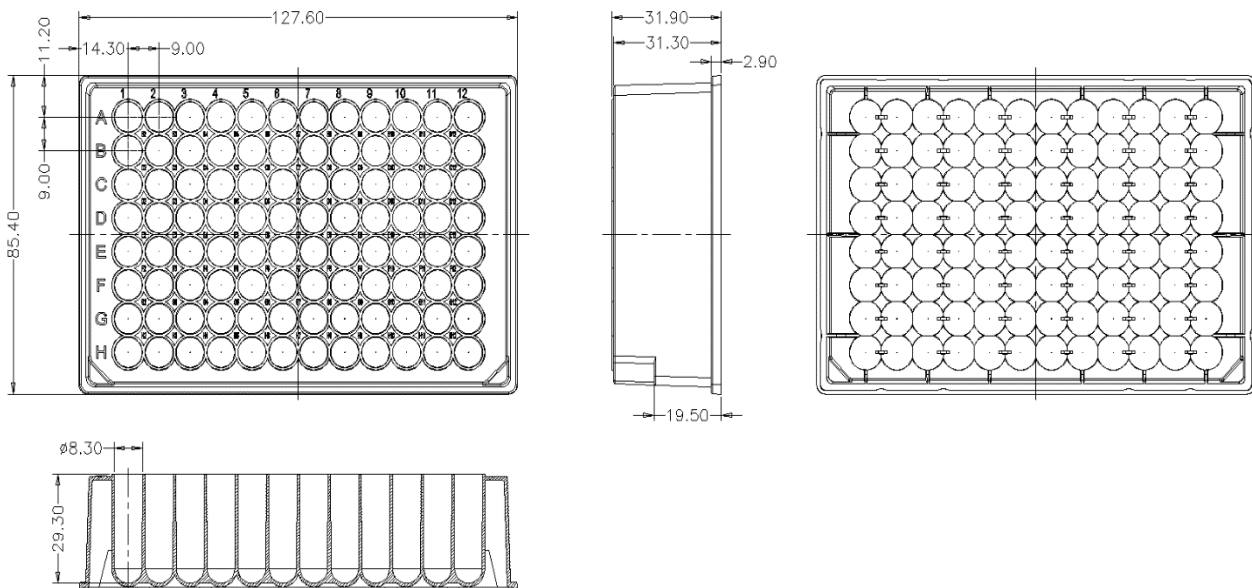
Head Office No. 530, Xida Road, Meicun Industrial Park, Xinwu District, Wuxi, Jiangsu, China
 Tel: +86+ 510-6800 6788 Email: info@nest-wuxi.com
 Online: www.cell-nest.com

Oversea NEST USA (New Jersey/ Phoenix)
 NEST scientific 株式会社 (Yokohama, Japan)
 NEST Scientific Europe B.V (Netherlands)
 Nest Scientific (MENA) FZE (Sharjah, United Arab Emirates)

Cat.No.503001 /503501:



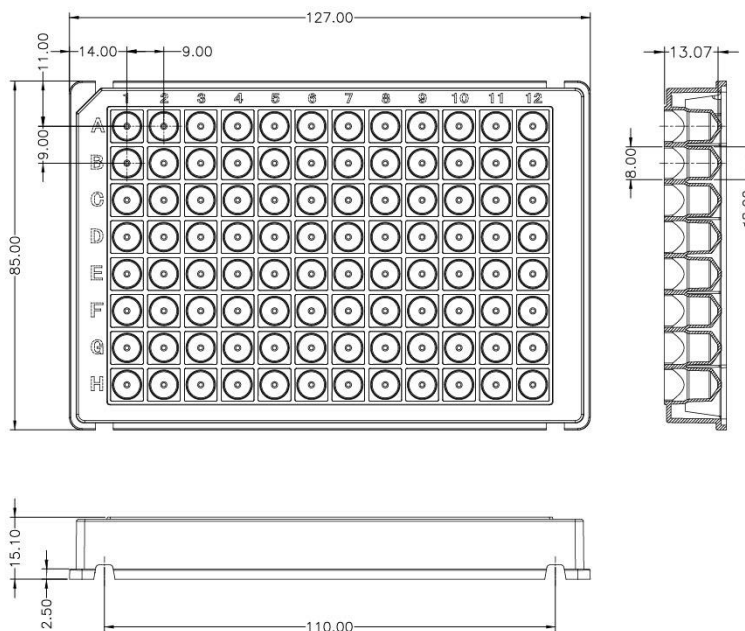
Cat.No. 507001 /507101:



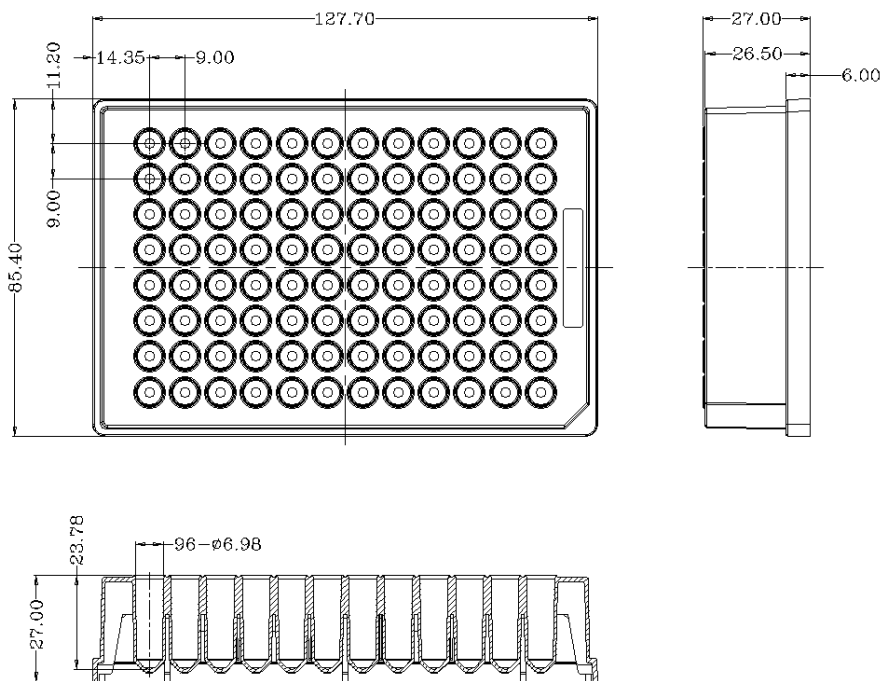
Head Office No. 530, Xida Road, Meicun Industrial Park, Xinwu District, Wuxi, Jiangsu, China
 Tel: +86+ 510-6800 6788 Email: info@nest-wuxi.com
 Online: www.cell-nest.com

Oversea NEST USA (New Jersey/ Phoenix)
 NEST scientific 株式会社 (Yokohama, Japan)
 NEST Scientific Europe B.V (Netherlands)
 Nest Scientific (MENA) FZE (Sharjah, United Arab Emirates)

0.5 mL 96-Deep Well Plate (500621/500021):



0.5 mL 96-Well Deep Well Plate, V-Bottom (501601/501101):

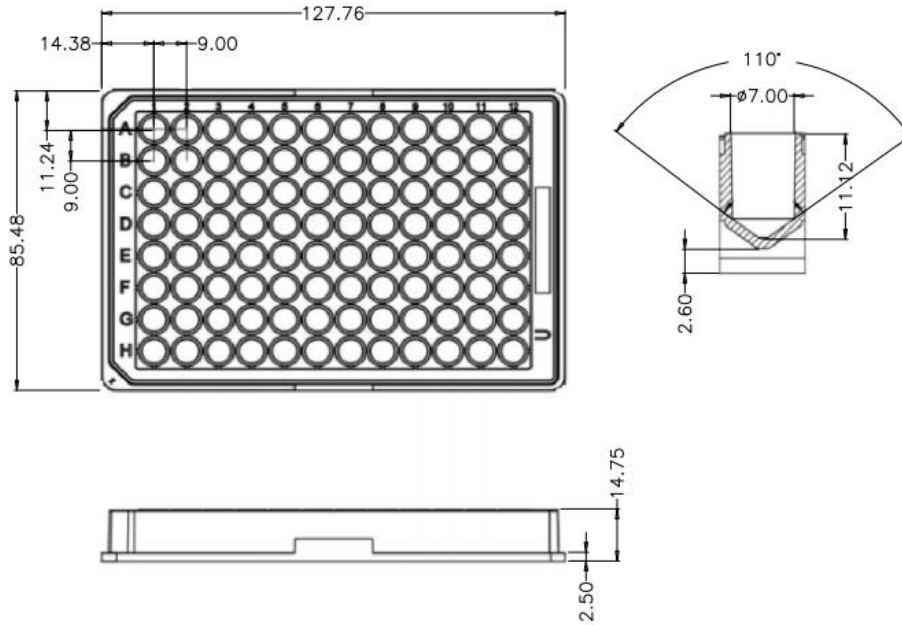


Head Office No. 530, Xida Road, Meicun Industrial Park, Xinwu District, Wuxi, Jiangsu, China
 Tel: +86+ 510-6800 6788 Email: info@nest-wuxi.com
 Online: www.cell-nest.com

Oversea NEST USA (New Jersey/ Phoenix)
 NEST scientific 株式会社 (Yokohama, Japan)
 NEST Scientific Europe B.V (Netherlands)
 Nest Scientific (MENA) FZE (Sharjah, United Arab Emirates)

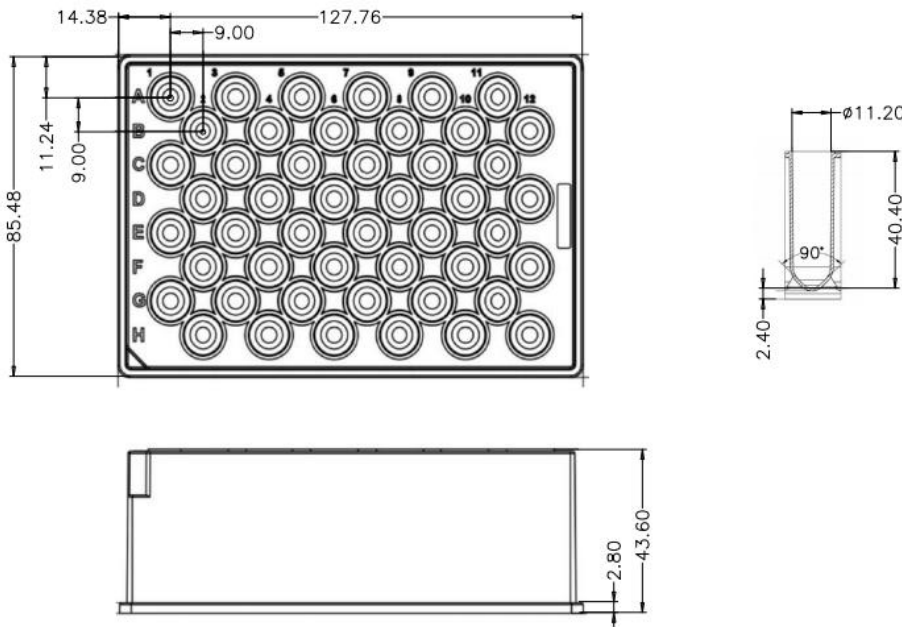
Cat.No. 500101

500101



Cat.No. 504102

504102

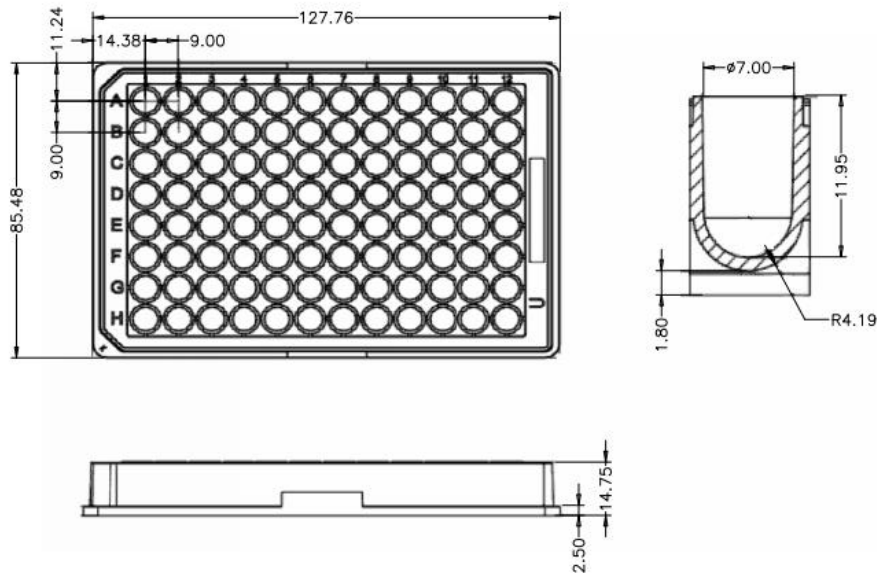


Head Office No. 530, Xida Road, Meicun Industrial Park, Xinwu District, Wuxi, Jiangsu, China
 Tel: +86+ 510-6800 6788 Email: info@nest-wuxi.com
 Online: www.cell-nest.com

Oversea NEST USA (New Jersey/ Phoenix)
 NEST scientific 株式会社 (Yokohama, Japan)
 NEST Scientific Europe B.V (Netherlands)
 Nest Scientific (MENA) FZE (Sharjah, United Arab Emirates)

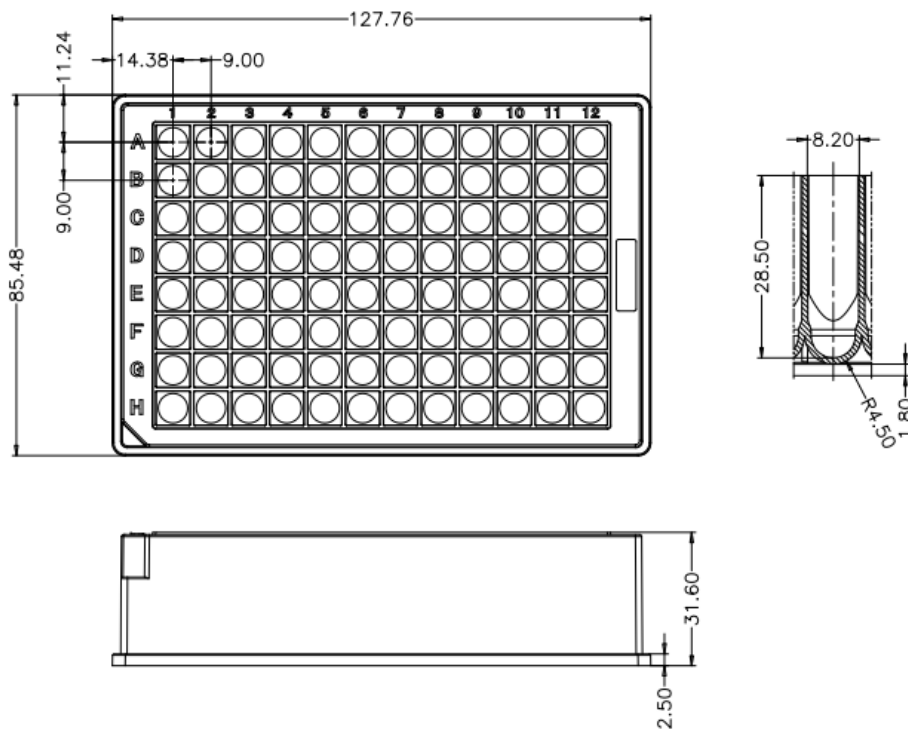
Cat.No. 501102

501102



Cat.No. 502002

502002



Head Office No. 530, Xida Road, Meicun Industrial Park, Xinwu District, Wuxi, Jiangsu, China
 Tel: +86+ 510-6800 6788 Email: info@nest-wuxi.com
 Online: www.cell-nest.com

Oversea NEST USA (New Jersey/ Phoenix)
 NEST scientific 株式会社 (Yokohama, Japan)
 NEST Scientific Europe B.V (Netherlands)
 Nest Scientific (MENA) FZE (Sharjah, United Arab Emirates)